



WWW.SIMRACING-PRO.COM



ENGLISH

TABLE OF CONTENTS

1. GENERAL INFORMATION	3
1.1. Preliminary warnings	3
1.2 Manufacturer's address:.....	3
1.3. Technical Service Address	3
2. DESCRIPTION OF THE PEDALS.....	4
2.1. General description	4
2.2. List of parts supplied.....	4
2.3. Working principle	4
2.4. Intended use	5
2.5. Predictable working conditions	5
2.6. Control panel	5
2.7. Identification and signalling	5
3. WARNINGS AND SAFETY INSTRUCTIONS	6
3.1. Protection and safeguards.....	6
4. STORAGE AND TRANSPORT	6
4.2. Weight and dimensions	6
4.3. Storage.....	6
4.4. Transport and handling	6
5. LOCATION	6
5.1. Unpacking	7
5.2. Site preparation	8
5.3. Assembly.....	8
5.4. Electrical connection	8
6. REVIEWS BEFORE STARTING.....	9
6.1. Fastening.....	9
6.2. Review with the pedals connected.....	9
7. INSTRUCTIONS FOR USE	9
7.1. Pre-inspection and adjustments.....	9
7.2. Uses of the controls	9
7.3. CONTROL SETTINGS.....	10
7.4 - Download and use of the application.	14
8. MAINTENANCE	15
8.1. General cleaning	15

8.2. Replacement of elements.....	15
9. ATTACHMENTS	16
9.1. Plan of general measures:	16
10. DECLARATION OF CONFORMITY	17
11. "CE" BRANDING	18
12. WARRANTY	18
13. RECEIPT OF TECHNICAL DOCUMENTATION	18

1. GENERAL INFORMATION

1.1. User Cautions

Please take time to read the safety and warning notes in this manual before using the pedals.

It is essential that you follow these instructions for the pedals for issue-free operation and to be able to file a claim under the warranty.

The pedals must be used for the purpose they have been designed. Any other use is considered dangerous. Any liability of the manufacturer for damage that may be caused by non-compliance with the instructions in the manual is excluded.

This manual contains important information about the operation of the pedals. For this reason it should always be kept within reach of the user.

1.2 Manufacturer's Details:

Sim Racing Pro 2018 S.L

Carretera de Tordera, 89

17300 Blanes (Girona)

Spain

Tel + 34 627 639 716

info@simracing-pro.com

1.3. Technical Service Details

Sim Racing Pro 2018 S.L

Carretera de Tordera, 89

17300 Blanes (Girona)

Spain

Tel + 34 627 639 716

support@simracing-pro.com

2. DESCRIPTION OF THE PEDALS.

2.1. General description

This technical manual contains all the necessary instructions for the installation, commissioning, maintenance and use of the pedals.

Components:

One Base, 3 pistons, set of three pedals, accelerator, brake and clutch.

Electrical power supply of the machine:

- . Power and electricity consumption: 5 volts USB-C
- . Model: Sim Racing Pro
- . Total Power: 225mW
- . Total consumption: 45mAh
- . **NOTE:** These consumptions are always approximate since they depend on the performance of each element.

2.2. What's included

1. set of pedals
2. 1 pc Allen key nº3
3. 1 pc Allen key nº4
4. 1 pc Allen key nº5
5. 1 pc. 10 mm open-end wrench
6. 1 pc open end wrench 13 mm
7. 1 x 2m USB cable / USB-C to USB-A
8. 1 user manual / CE certificate
9. 1 Warranty form

2.3. Working principle

The SRP GT 3p/2p pedals

They have the following functions:

Driving Simulation

2.4. Intended use

Driving simulation when playing PC car racing games.

Do not carry out activities other than those for which the pedals have been designed with elements other than those indicated here.

Do not exceed the working capacity of the pedals. The manufacturer of the pedals may not accept responsibility in the event of failing to comply with this warning.

2.5. Important safety precautions

Pedals may be suitable for children over six years old, under appropriate adult supervision.

The fastening of the pedals is essential for their proper functioning.

An appropriate use of the pedals and a maintenance contribute to the life of the equipment.

2.6. Control panel

See point 7.3

2.7. Important safety symbols

Signal symbols that can be found on the pedals:



DANGER! Electrical risk

Electrical risk in electrical panel and indicated areas.

Note: The user must ensure that all the identification signs and warning plates on the pedals are maintained and preserved

Under no circumstances should they be dismantled or altered.

3. WARNINGS AND SAFETY INSTRUCTIONS

3.1. Protection and safeguards

The materials used in the manufacture of the pedals do not have any hygienic risks, although in the event of fire the plastic components and lubricants may give rise to toxic fumes.

Do not carry out any maintenance or cleaning operations on the pedals or the pavement in the vicinity without first disconnecting the USB from the P

4. STORAGE AND TRANSPORT

4.1. Receiving the pedals

1. Check whether the pedals have been damaged during delivery.

4.2. Weight and dimensions

Model	Length, mm.	Width, mm.	Height, mm.	Weight, Kg.
SRP GT-R 3P	441	347	245	8.1 KG
SRP GT-R 2P	441	347	245	7,4 KG

See general dimensional drawing 9.1.

4.3. Storage

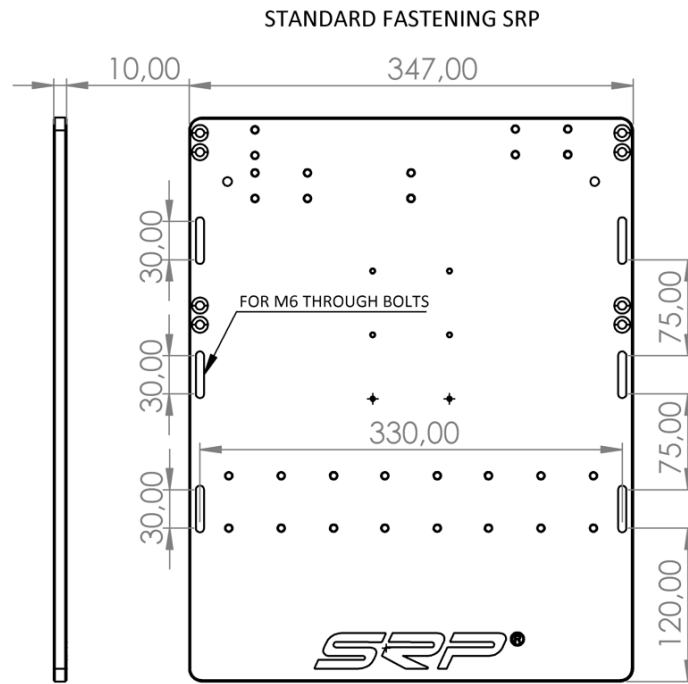
No particular measures are recommended with regard to storage. However, if the user leaves it unused for a long time, it is recommended to protect it from dust by covering it properly and disconnecting it from any power source beforehand.

4.4. Transport and handling

Ensure the manual is available when moving the pedals from one location to another. Total weight of the pedals must be considered for transportation.

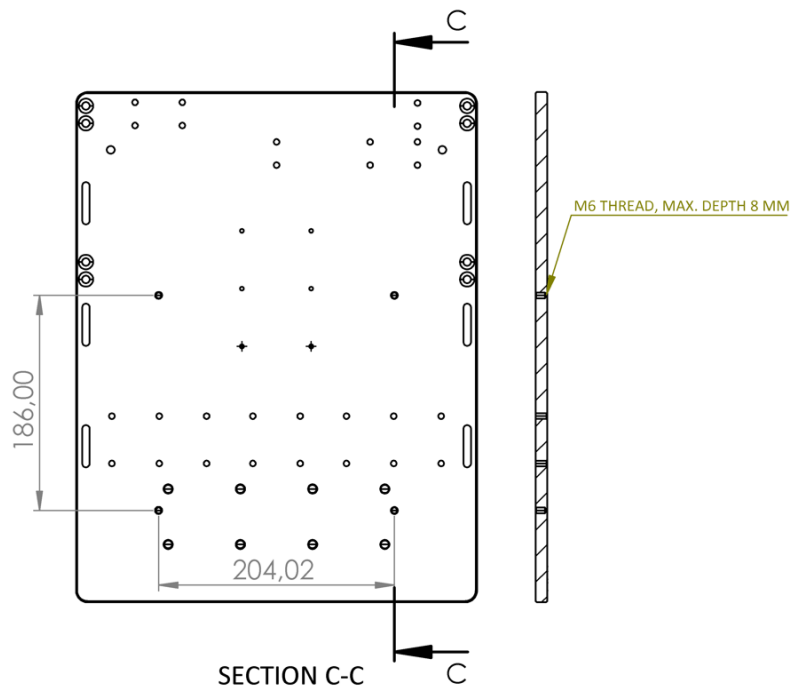
5. DIMENSIONS

Note: This product has been designed to be assembled by the final user.



USE AT LEAST 4 CLAMPING POINTS

EQUIVALENT FASTENING TO G25 / G27 / G29



5.1. Unpacking

Upon receipt of the product, ensure that the assembly is done close to the final location of the pedals. Unpacking should be carried out with the utmost care and attention.

The pedals should not be installed if any damage is observed during unpacking. If any doubt, refrain from using the pedals and contact the supplier for information.

5.2. Set Up Location

The surface on which the machine is to be installed must support the weight of the pedals, as indicated in section 4.1 above.

Pedals are recommended to be placed on a metal frame where they can be fixed correctly. They can also be placed directly on the floor on a carpet or rubber surface.

5.3. Assembly

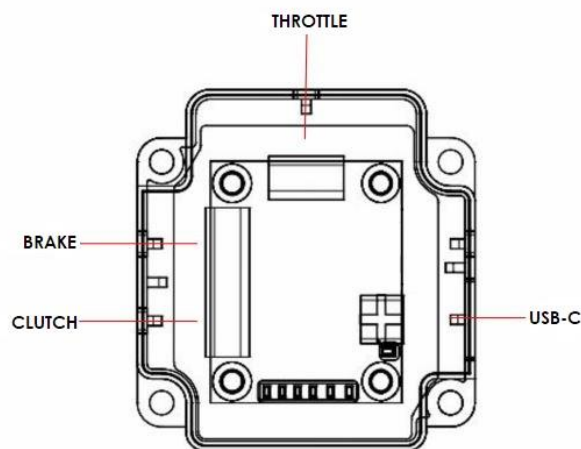
5. Once the product is located and set up in the place where they will work on, they can be installed and connected.

5.4. Electrical connection

-The electrical connection of the pedals is 5V via USB. As indicated in the data sheet, or in the general dimensional and connection drawing.

- The pedals require a stable, standardised supply voltage that is between the operating ranges of the pedals for proper operation. Faulty power supply to the pedals can lead to malfunction and even serious damage or deterioration of installed electrical components.

Make sure that the electric cables connecting the pedals are properly protected and they are not left in areas where they can cause inconvenience.



6. BEFORE YOU START

6.1. Fastening

Check that the pedals have been levelled out correctly, as described in section 5.3.

6.2. Review with the pedals connected



POWER: Red Led indicating that the plate is powered by USB.

WARNING: Orange LED failure indicator.

INI-OK: Green LED, indicating that there is data communication with the PC.

THROTTLE: Blue Led, throttle piston status ok.

BRAKE: Blue Led, brake piston status ok.

CLUTCH: Blue Led, throttle-piston status ok.

BRAKE REGULATOR: Led Blue, Brake adjustment activated.

7. INSTRUCTIONS FOR USE

7.1. Pre-inspection and adjustments

- Before using the pedals, check that they are connected correctly.
- Check the status of the LED indicators to determine that everything is correct. See point 6.2

7.2. Controls

The pedals have two/three pedals, depending on the model.

An accelerator

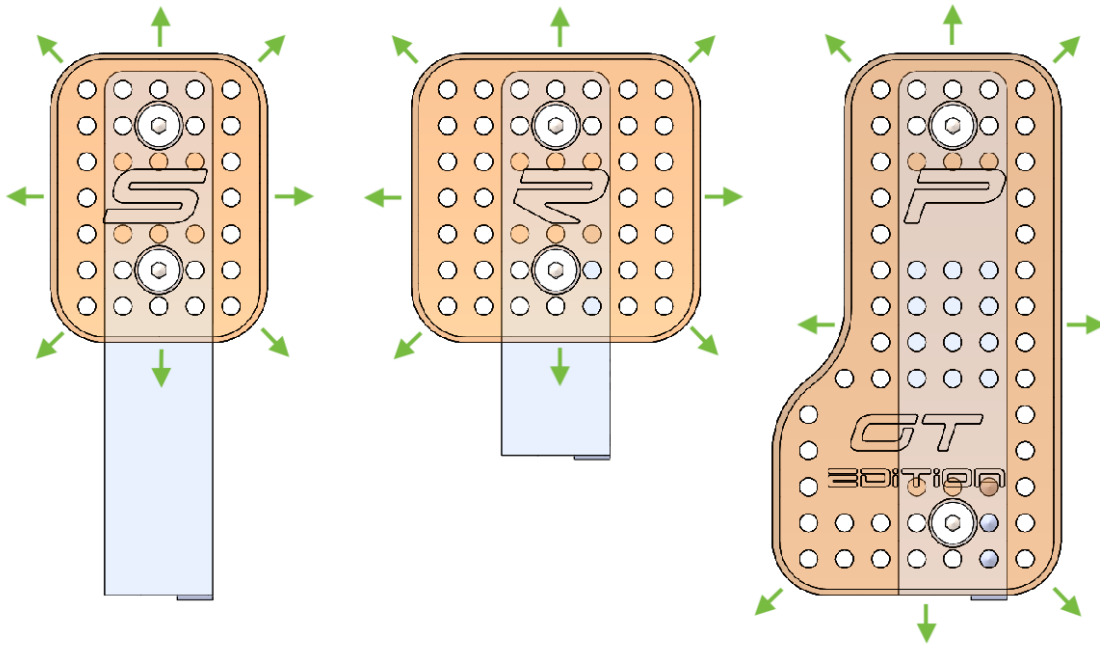
A Brake

A Clutch

7.3. CONTROL SETTINGS.

Key adjustment.

There are 9 positions for the keys. Unscrew the two Allen screws to move them (see attached drawing).



CAM ANGLE ADJUSTMENTS:

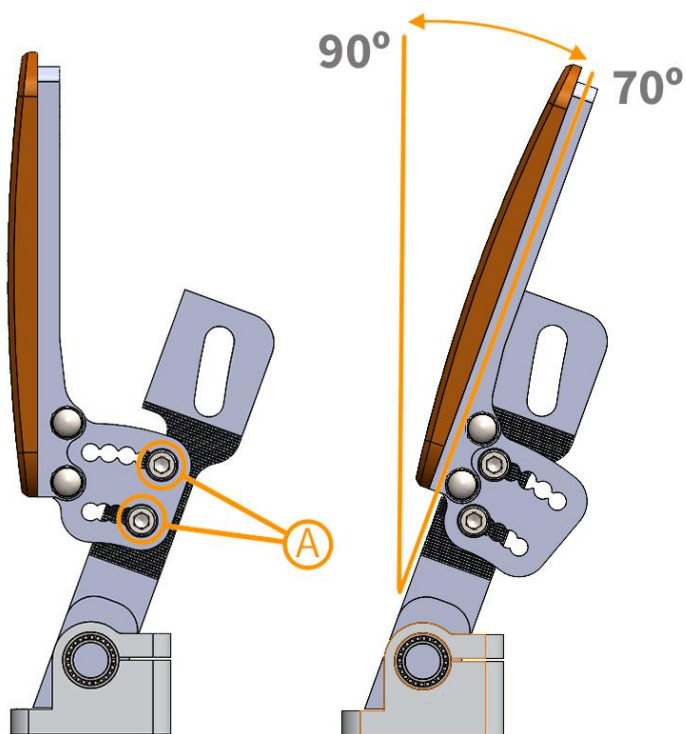
By unscrewing the two screws A (see enclosed drawing) the cams can be adjusted in the range of 70° to 90°

Recommendations:

70° seat position in GT

90° seat position at Formula (lying down)

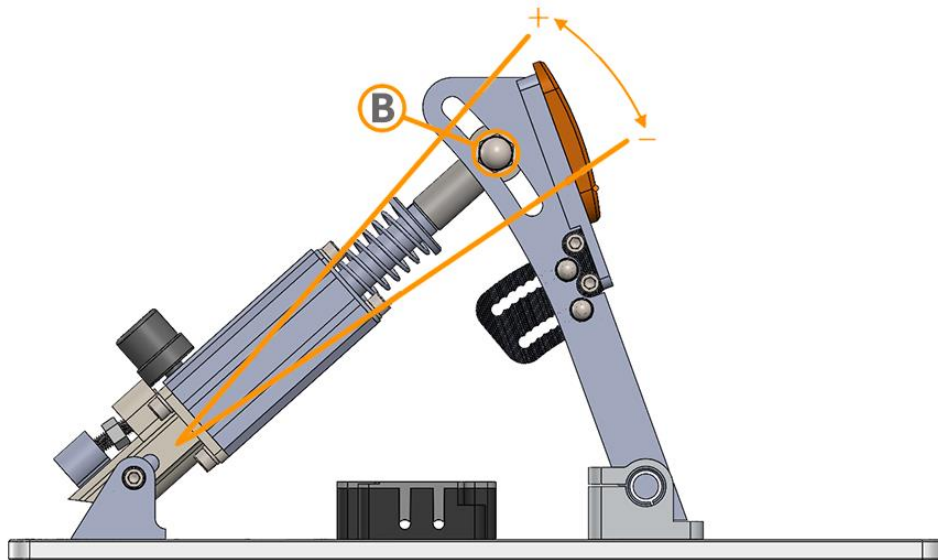
Applicable to the three cams accelerator, brake and clutch.



FIRMNESS ADJUSTMENTS:

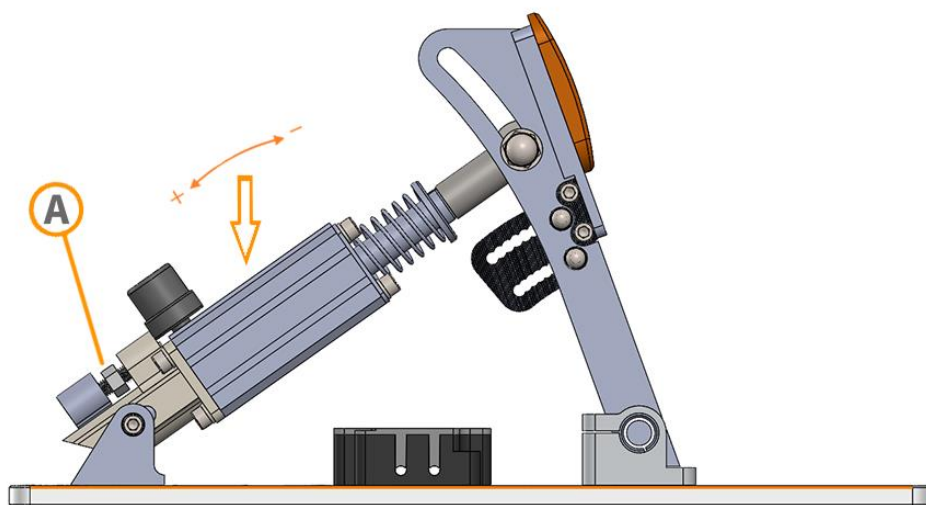
Loosen screw B (see drawing below) to raise the piston for more firmness and to lower it for less firmness.

Applicable to all three pistons equally: accelerator, brake and clutch.



BRAKE TRAVEL ADJUSTMENTS

With the 13 mm spanner, turning the screw "A" (see attached drawing) to the left will shorten the travel with a minimum of 15 mm and turning to the right will increase the travel with a maximum of 45 mm of travel, once the desired travel is set, you must perform a calibration from the application to reset the minimum value and then adjust the maximum value manually to our desired braking pressure.



*Maximum stroke



*Standard stroke



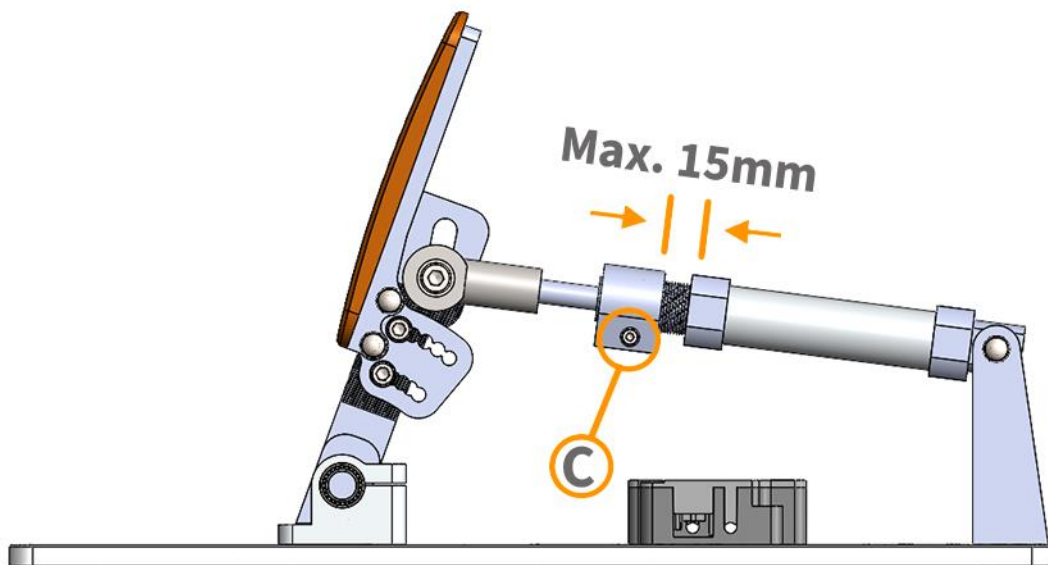
*Minimum stroke



THROTTLE TRAVEL ADJUSTMENTS

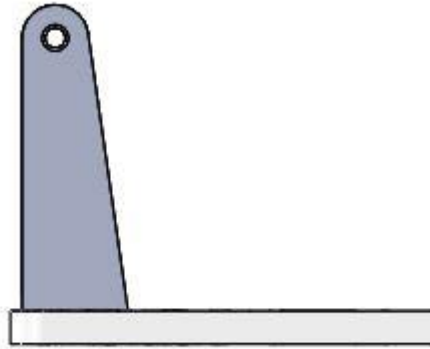
By loosening the hexagon socket screw C (see enclosed drawing), unscrewing part D shortens the route. **Unscrew a max. of 15 mm**

The pedal is supplied at a maximum route.

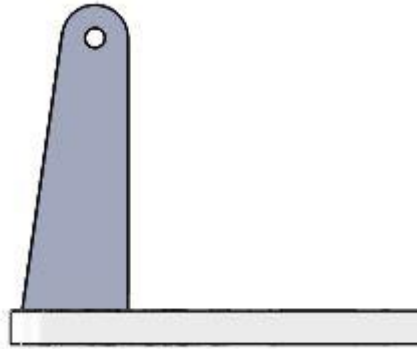


CLUTCH TRAVEL ADJUSTMENTS

Two configurations for the clutch, the long travel of 4.5 cm and by rotating the piston bracket 180° the short travel of 2.25 cm.



Long haul



Short haul

7.4 - Download and use of the app.

App from the Download section on the SRP website simracing-pro.com

Execute and follow the steps of the app for a good configuration.



8. MAINTENANCE

8.1. General cleaning

Introduction

It is advisable to clean the pedals periodically to remove dust excess.

DO NOT use cleaning fluids in the area of the plate, as this could cause damage to the pedals.

Remember to keep the pedals in an optimum state of cleanliness and maintenance as this may improve their performance and life expectancy of the product.

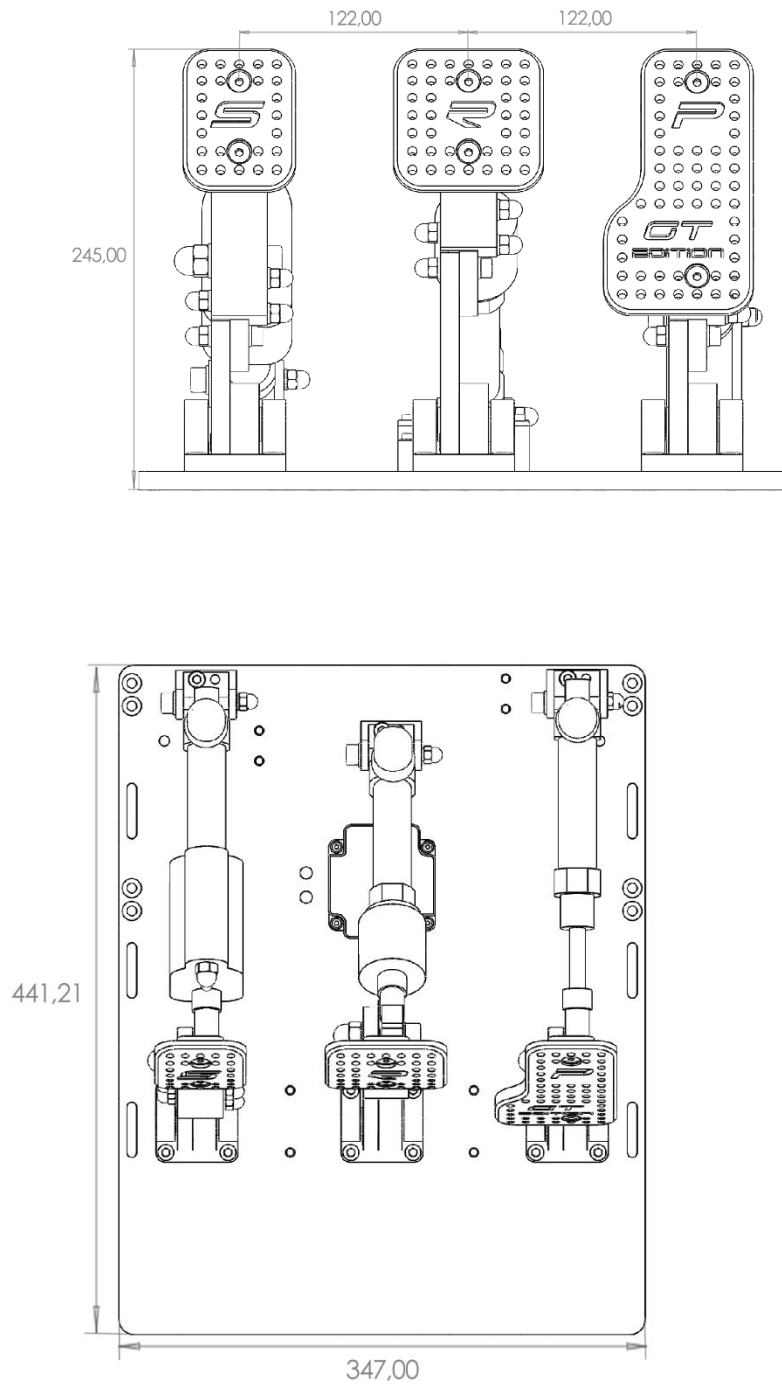
8.2. Replacement of elements

The replacement of any element must be done by the technical service or by remote connection with the technical service

Ensure power supply is fully disconnected before carrying out any maintenance or cleaning operations to the pedals or any other dispositive that pedals are attached to.

9. ATTACHMENTS

9.1. General Measures Diagram



10. DECLARATION OF CONFORMITY

Declaración de conformidad

Empresa: **Sim Racing-Pro S.L.**
Carretera de Tordera nº 89
17300 BLANES (Girona)

Producto: **Pedales de Simulación**

Modelo:

N.º Serie:

Año de fabricación:

En conformidad con la siguiente normativa:

2006/42/CE Directiva de Maquinas

2006/42/CE Directiva relativa a las máquinas.

2006/95/CE Directiva de baja tensión.

2004/108/CE Directiva de compatibilidad electromagnética.

Declaramos que la maquina indicada cumple con los requisitos esenciales de seguridad y salud de la Directiva de máquinas de la Comunidad Europea

Esta Declaración de Conformidad perderá toda su validez, en caso de una modificación de la maquina no acordada o no autorizada por cualquier persona no perteneciente al Servicio Técnico de Sim Racing- Pro S.L

Blanes, 1 de Julio de 2020



Sra; Leidy Quintero

**REPRESENTANTE LEGAL
SIM RACING-PRO 2018 S.L**

11. "CE" BRANDING

The plate is stamped with the manufacturer's brand, the CE conformity brand and the manufacturer's social information. Specific details of the pedals such as brand, model, serial number and year of manufacture, are displayed on the top of the plate.

12. WARRANTY

The company SIM RACING PRO 2018, SL, is committed to ensuring the proper functioning of the pedals and the replacement of the elements that compose it due to a manufacturing defect.

This warranty will be effective as long as the normal operation of the pedals has not been distorted or varied and the faulty element has NOT BEEN MISHANDLED OR MANIPULATED.

Warranty: 2 years from date of billing, except for electrical components and parts subject to normal wear and tear.

13. TECHNICAL DOCUMENTATION

List of documents included:

Paper support :

- Instruction Manual
- CE Declaration of Conformity (included in the manual)
- Warranty sheet (included in the manual)